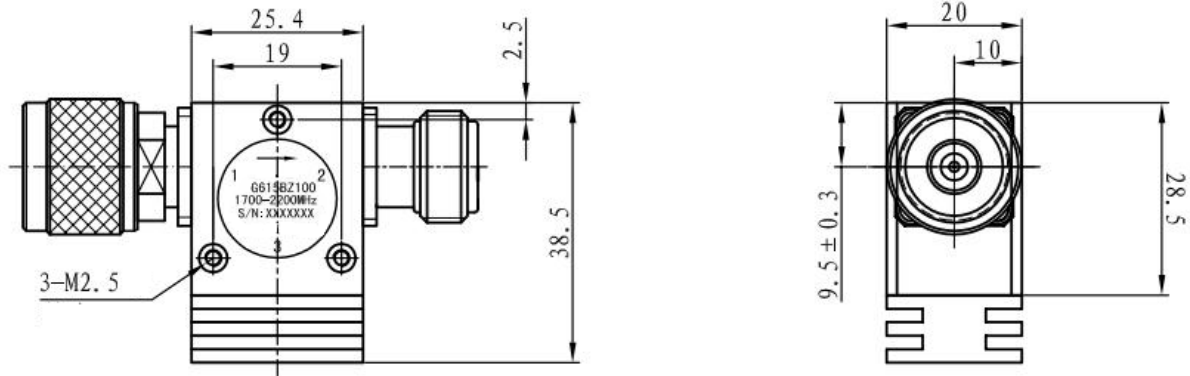


1.Features

UMTS, LTE Band

Wide Operation Temperature Range -20 ~ +70°C

2.Dimensions Unit:mm



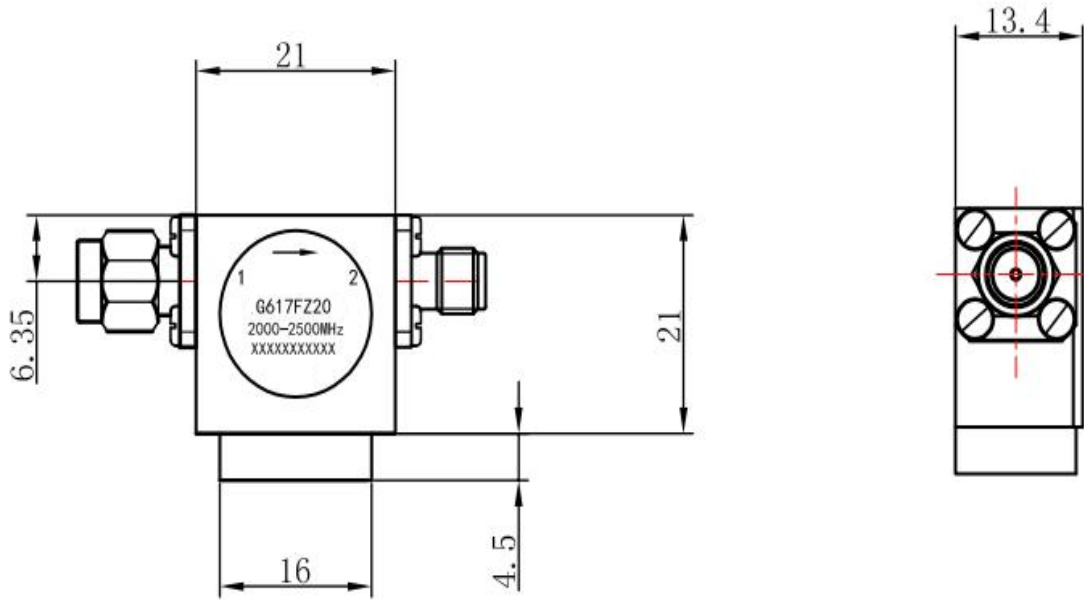
3.Specifications

| Part No.                 | Frequency (GHz) |       | Center Frequency | Bandwidth | Isolation | INS LOSS | VSWR | Power | IMD (@2X43dBm) |
|--------------------------|-----------------|-------|------------------|-----------|-----------|----------|------|-------|----------------|
|                          | F1              | F2    | (GHz)            | (GHz)     | (dB) MIN  | (dB) MAX | MAX  | (W)   | (-dBc) MAX     |
| G615BZ100 (1700-2200MHz) | 1.700           | 2.200 | 1.950            | 0.500     | 18        | 0.45     | 1.35 | 200   |                |
| G615BZ100 (2300-2700MHz) | 2.300           | 2.700 | 2.500            | 0.400     | 20        | 0.35     | 1.2  | 200   |                |
| G615BZ100 (3400-3800MHz) | 3.400           | 3.800 | 3.600            | 0.400     | 20        | 0.4      | 1.2  | 200   |                |

1.Features

UMTS, LTE Band  
 Wide Operation Temperature Range -40 ~ +70°C

2.Dimensions Unit:mm



3.Specifications

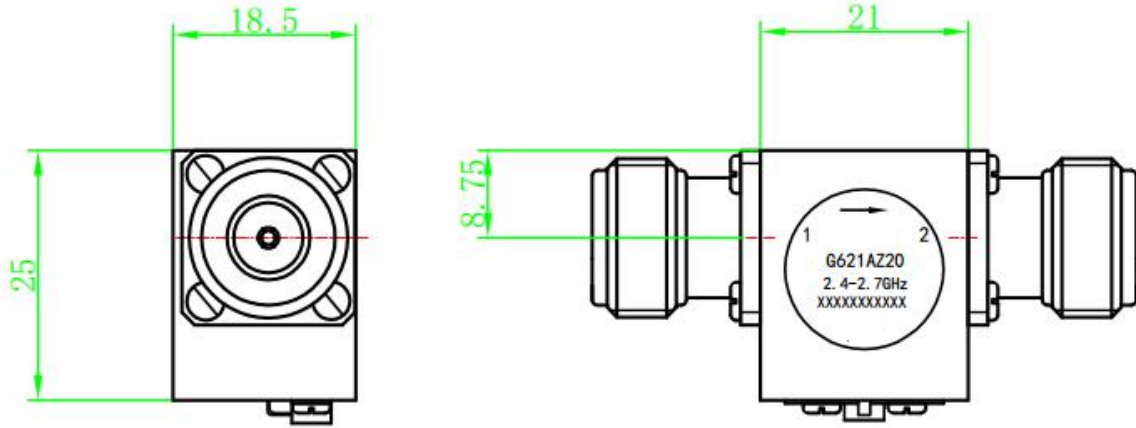
| Part No.               | Frequency (GHz) |       | Center Frequency | Bandwidth | Isolation | INS LOSS | VSWR | Power | IMD                   |
|------------------------|-----------------|-------|------------------|-----------|-----------|----------|------|-------|-----------------------|
|                        | F1              | F2    | (GHz)            | (GHz)     | (dB) MIN  | (dB) MAX | MAX  | (W)   | (@2X43dBm) (-dBc) MAX |
| G617FZ20(1500-1650MHz) | 1.500           | 1.650 | 1.5750           | 0.150     | 20        | 0.35     | 1.25 | 100   |                       |
| G617FZ20(1800-2300MHz) | 1.800           | 2.300 | 2.050            | 0.500     | 19        | 0.4      | 1.25 | 100   |                       |
| G617FZ20(2000-2500MHz) | 2.000           | 2.500 | 2.2500           | 0.500     | 20        | 0.35     | 1.25 | 100   |                       |
| G617FZ20(2.3-2.7GHz)   | 3.400           | 3.600 | 3.500            | 0.200     | 20        | 0.35     | 1.25 | 100   |                       |
| G617FZ20(3.3-3.8GHZ)   | 3.300           | 3.800 | 3.5500           | 0.500     | 20        | 0.35     | 1.25 | 100   |                       |
| G617FZ20(4.79-4.96GHZ) | 4.790           | 4.960 | 4.875            | 0.170     | 22        | 0.3      | 1.2  | 100   |                       |

1.Features

UMTS, LTE Band

Wide Operation Temperature Range -40 ~ +70°C

2.Dimensions Unit:mm



3.Specifications

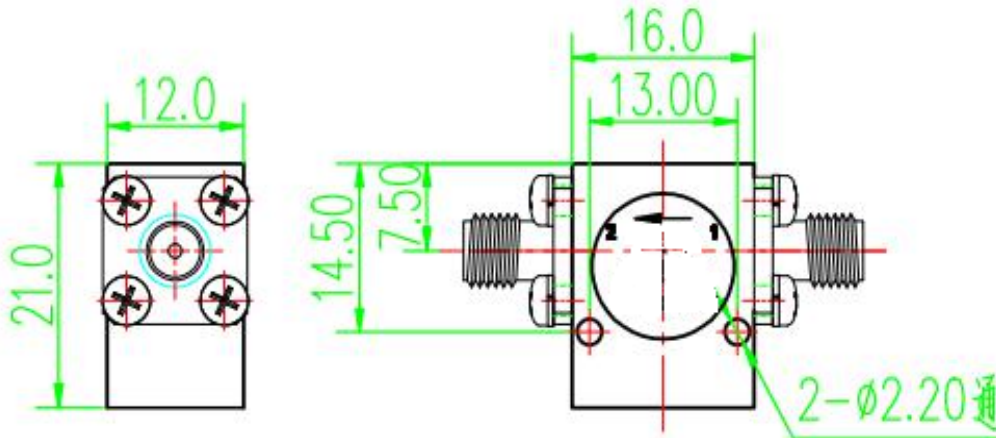
| Part No.             | Frequency (GHz) |       | Center Frequency | Bandwidth | Isolation | INS LOSS | VSWR | Power | IMD (@2X43dBm) |
|----------------------|-----------------|-------|------------------|-----------|-----------|----------|------|-------|----------------|
|                      | F1              | F2    | (GHz)            | (GHz)     | (dB) MIN  | (dB) MAX | MAX  | (W)   | (-dBc) MAX     |
| G621AZ20(2.4-2.7GHz) | 2.400           | 2.700 | 2.550            | 0.300     | 20        | 0.3      | 1.2  | 100   |                |
| G621AZ20(3.3-3.8GHz) | 3.300           | 3.800 | 3.550            | 0.500     | 20        | 0.3      | 1.2  | 100   |                |
| G621AZ20(4.4-5GHz)   | 4.400           | 5.000 | 4.700            | 0.600     | 20        | 0.3      | 1.2  | 100   |                |

1.Features

UMTS, LTE Band

Wide Operation Temperature Range -40 ~ +85°C

2.Dimensions Unit:mm



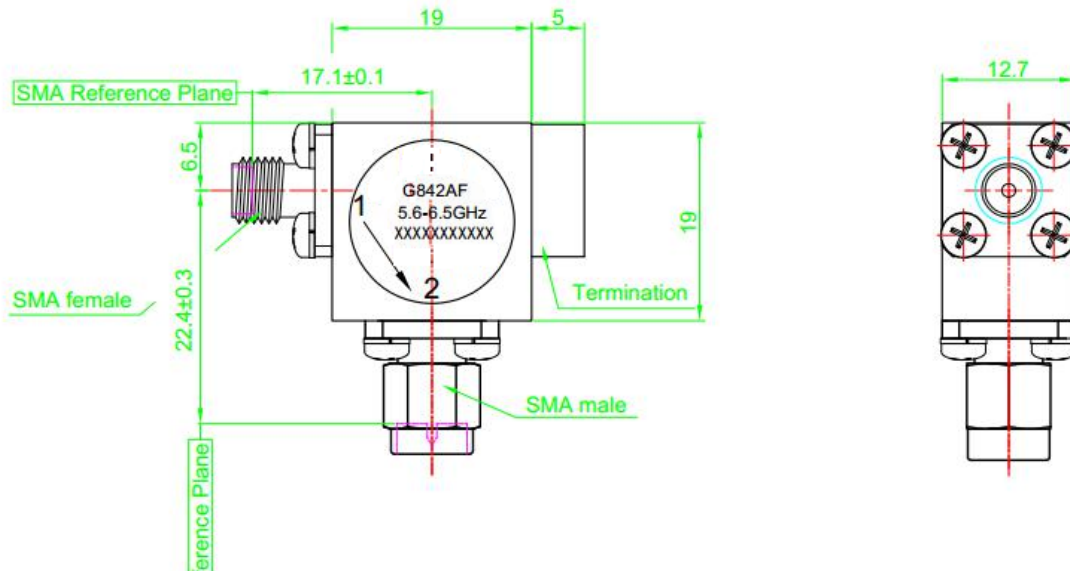
3.Specifications

| Part No.             | Frequency (GHz) |        | Center Frequency | Bandwidth | Isolation | INS LOSS | VSWR | Power | IMD (@2X43dBm) |
|----------------------|-----------------|--------|------------------|-----------|-----------|----------|------|-------|----------------|
|                      | F1              | F2     | (GHz)            | (GHz)     | (dB) MIN  | (dB) MAX | MAX  | (W)   | (-dBc) MAX     |
| G836AZ[5.7-6.5GHz]   | 5.700           | 6.500  | 6.1000           | 0.800     | 20        | 0.3      | 1.25 | 10    |                |
| G836AZ[6.4-7.2GHz]   | 6.400           | 7.200  | 6.8000           | 0.800     | 20        | 0.3      | 1.25 | 10    |                |
| G836AZ[7.1-7.9GHz]   | 7.100           | 7.900  | 7.5000           | 0.800     | 20        | 0.3      | 1.25 | 10    |                |
| G836AZ[7.7-8.5GHz]   | 7.700           | 8.500  | 8.1000           | 0.800     | 20        | 0.3      | 1.25 | 10    |                |
| G836AZ[10.7-11.7GHz] | 10.700          | 11.700 | 11.2000          | 1.000     | 20        | 0.35     | 1.25 | 10    |                |
| G836AZ[10-15GHz]     | 10.000          | 15.000 | 12.5000          | 5.000     | 20        | 0.4      | 1.25 | 10    |                |

1.Features

UMTS, LTE Band  
Wide Operation Temperature Range -5 ~ +55°C

2.Dimensions Unit:mm



3.Specifications

| Part No.             | Frequency (GHz) |       | Center Frequency | Bandwidth | Isolation | INS LOSS | VSWR | Power | IMD                  |
|----------------------|-----------------|-------|------------------|-----------|-----------|----------|------|-------|----------------------|
|                      | F1              | F2    | (GHz)            | (GHz)     | (dB) MIN  | (dB) MAX | MAX  | (W)   | (@2X43dBm (-dBc) MAX |
| G842AF[3.6-4.2GHz]   | 3.600           | 4.200 | 3.9000           | 0.600     | 23        | 0.30     | 1.15 | 10    |                      |
| G842AF[4.4-5.0GHz]   | 2.300           | 2.400 | 2.3500           | 0.100     | 23        | 0.30     | 1.15 | 10    |                      |
| G842AF[5.6-6.5GHz]   | 2.545           | 2.665 | 2.6050           | 0.120     | 23        | 0.30     | 1.15 | 10    |                      |
| G842AF[6.4-7.2GHz]   | 2.545           | 2.665 | 2.6050           | 0.120     | 23        | 0.30     | 1.15 | 10    |                      |
| G842AF[7.1-7.9GHz]   | 2.486           | 2.700 | 2.5930           | 0.214     | 23        | 0.30     | 1.15 | 10    |                      |
| G842AF[7.7-8.5GHz]   | 3.400           | 3.600 | 3.5000           | 0.200     | 23        | 0.30     | 1.15 | 10    |                      |
| G842AF[10.7-11.7GHz] | 3.400           | 3.800 | 3.6000           | 0.400     | 23        | 0.30     | 1.15 | 10    |                      |
| G842AF[12.7-13.3GHz] | 4.400           | 5.000 | 4.7000           | 0.600     | 23        | 0.30     | 1.15 | 10    |                      |

# Coaxial Isolator

The isolator is the device that makes the RF signal transmit in one direction. It can be divided into coaxial isolator and embedded isolator.



| FEATURE    | APPLICATION      |
|------------|------------------|
| Broad Band | Wireless         |
| High Power | Radar            |
| Low Loss   | Laboratory Tests |

## ELECTRICAL CHARACTERISTICS:

| Model   | Freq (GHz) | Bandwidth (MHz,max.) | Insertion Loss (dB,max.) | Isolation (dB,min.) | VSWR (dB,min.) | Forward Power (W,max) | Backward Power (W) | Connector | Temp ( °C ) | Dimensions (mm) |
|---------|------------|----------------------|--------------------------|---------------------|----------------|-----------------------|--------------------|-----------|-------------|-----------------|
| G6466H  | 0.02-0.4   | 175                  | 2                        | 18                  | 1.3            | 100                   | 20-100             | SMA,N     | 0 - +60     | 64*66*22        |
| G6060H  | 0.02-0.4   | 175                  | 2                        | 18                  | 1.3            | 100                   | 10-100             | SMA,N     | -20 - +70   | 60*60*25.5      |
| G12060H | 0.07-0.23  | 56                   | 2                        | 40                  | 1.3            | 150                   | 10-100             | SMA,N     | -30 - +70   | 120*60*25.5     |
| G23085H | 0.07-0.23  | 60                   | 1.8                      | 60                  | 1.25           | 150                   | 100                | SMA,N     | -30 - +75   | 230*85*30       |
| G5258E  | 0.16-0.33  | 70                   | 0.7                      | 18                  | 1.3            | 500                   | 10-100             | SMA,N     | -30 - +70   | 52*57.5*22      |
| G10458E | 0.18-0.86  | 60                   | 1                        | 38                  | 1.3            | 300                   | 10-100             | SMA,N     | -30 - +70   | 104*57.5*22     |
| G12762H | 0.3-0.5    | 40                   | 0.8                      | 45                  | 1.25           | 300                   | 10-100             | SMA,N     | -30 - +70   | 127*62*22       |
| G4550E  | 0.3-1.1    | 300                  | 0.6                      | 18                  | 1.3            | 400                   | 10-100             | SMA,N     | -30 - +70   | 45*50*25        |
| G4550X  | 0.3-1.1    | 300                  | 0.6                      | 18                  | 1.3            | 400                   | 10-100             | SMA,N     | -30 - +70   | 45*49*18        |
| G3538X  | 0.3-1.85   | 500                  | 0.7                      | 18                  | 1.35           | 300                   | 10-100             | SMA,N     | -30 - +70   | 35*38*15        |
| G9648H  | 0.35-0.47  | 70                   | 0.7                      | 40                  | 1.25           | 150                   | 100                | SMA,N     | -30 - +70   | 96*48*24        |
| G9650H  | 0.35-0.47  | 70                   | 0.7                      | 40                  | 1.25           | 150                   | 100                | SMA,N     | -30 - +70   | 96*50*26.5      |
| G9662H  | 0.35-0.47  | 70                   | 0.7                      | 40                  | 1.25           | 150                   | 100                | SMA,N     | -30 - +70   | 96*62*26        |
| G16080H | 0.38-0.47  | 70                   | 1.2                      | 60                  | 1.25           | 300                   | 100                | SMA,N     | -10 - +60   | 160*80*30       |
| G7448H  | 0.45-2.7   | 400                  | 0.8                      | 38                  | 1.25           | 250                   | 10-100             | SMA,N     | -30 - +70   | 73.8*48.4*22.5  |
| G3033X  | 0.7-3      | 600                  | 0.6                      | 15                  | 1.45           | 200                   | 10-100             | SMA,N     | -30 - +70   | 30*33*15        |
| G3232X  | 0.7-3      | 600                  | 0.6                      | 15                  | 1.45           | 200                   | 10-100             | SMA,N     | -30 - +70   | 32*32*15        |
| G3434E  | 0.7-3      | 600                  | 0.6                      | 15                  | 1.45           | 200                   | 10-100             | SMA,N     | -30 - +70   | 34*34*22        |
| G2528B  | 0.9-4      | 400                  | 0.4                      | 20                  | 1.25           | 200                   | 10-100             | SMA,N     | -30 - +70   | 25.4*28.5*15    |
| G6466K  | 0.95-2     | 1050                 | 0.65                     | 16                  | 1.4            | 100                   | 10-100             | SMA,N     | -30 - +70   | 64*66*26        |
| G2025X  | 1.3-4      | 400                  | 0.4                      | 20                  | 1.25           | 100                   | 20                 | SMA       | -30 - +70   | 20*25.4*13      |
| G5050A  | 1.5-3      | 1500                 | 0.7                      | 17                  | 1.4            | 100                   | 10-100             | SMA,N     | -10 - +60   | 50.8*49.5*19    |
| G2528C  | 2.7-6.2    | 3500                 | 0.8                      | 16                  | 1.4            | 60                    | 20                 | SMA,N     | -10 - +60   | 25.4*28*14      |
| G3234A  | 2-4        | 2000                 | 0.6                      | 18                  | 1.3            | 100                   | 20                 | SMA,N     | 0 - +60     | 32*34*21        |
| G6237A  | 2-8        | 6000                 | 1.5                      | 13                  | 1.8            | 20                    | 5                  | SMA       | 0 - +60     | 62*36.8*19.6    |
| G1523C  | 3.6-7.2    | 1400                 | 0.5                      | 18                  | 1.3            | 60                    | 10                 | SMA       | -10 - +60   | 15*22.5*13.8    |
| G1626B  | 3.7-5      | 1000                 | 0.4                      | 20                  | 1.25           | 60                    | 10                 | SMA       | -10 - +60   | 16*26.5*14.8    |
| G2123B  | 4-8        | 4000                 | 0.6                      | 18                  | 1.35           | 60                    | 20                 | SMA       | 0 - +60     | 21*22.5*15      |
| G1622B  | 6-18       | 12000                | 1.5                      | 11                  | 1.9            | 30                    | 10                 | SMA       | 0 - +60     | 16*21.5*14      |
| G1319C  | 7-15       | 4000                 | 0.5                      | 18                  | 1.3            | 20                    | 10                 | SMA       | -10 - +60   | 13*19*12.7      |
| G2619C  | 8-12       | 4000                 | 0.8                      | 35                  | 1.3            | 30                    | 10                 | SMA       | -10 - +60   | 26*19*12.7      |
| G1220C  | 9-16.5     | 2200                 | 0.5                      | 19                  | 1.3            | 30                    | 5                  | SMA       | -30 - +70   | 12*20*13        |
| G1220A  | 18-26.5    | 8500                 | 0.7                      | 16                  | 1.4            | 10                    | 5                  | 2.92mm    | -30 - +70   | 12*20*13        |
| G1215A  | 26.5-40    | 13500                | 1.3                      | 12                  | 1.7            | 5                     | 1                  | 2.92mm    | -30 - +70   | 12*15*12        |

\*Dimensions do not include connectors.