

HIGH CURRENT SURFACE-MOUNT POWER SHIELDED INDUCTORS SDRS0603 SERIES



FEATURES:

- Current up to 1.0A
- Very Small Foot Print
- Flat-top for Pick& Place
- Shielded structure

APPLICATION:

- Power supply for VTRs .
- OA equipment.
- LCD televisions.
- Notebook PCs.
- Portable communication equipment.
- DC/DC converters,etc.

STANDARD SPECIFICATION:

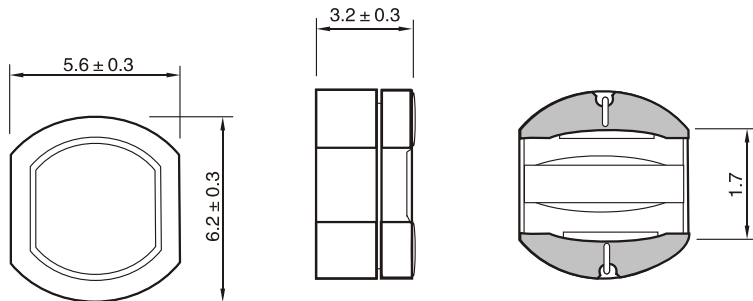
Part Number SDRS0603-	L (μ H)	DCR(Ω)Max.	IDC(A)
100M	10	0.14	1.00
120M	12	0.16	0.94
150M	15	0.18	0.86
180M	18	0.25	0.78
220M	22	0.32	0.76
270M	27	0.36	0.64
330M	33	0.41	0.61
390M	39	0.47	0.53
470M	47	0.51	0.50
560M	56	0.72	0.46
680M	68	0.82	0.42
820M	82	0.82	0.42
101M	100	0.82	0.42
121M	120	0.82	0.42
151M	150	0.82	0.42
181M	180	0.82	0.42
221M	220	0.82	0.42
271M	270	0.82	0.42
331M	330	0.82	0.42
391M	390	0.82	0.42
471M	470	0.82	0.42
561M	560	0.82	0.42
681M	680	0.82	0.42
821M	820	0.82	0.42

- Testing: (Equivalent acceptable)
Inductance:HP4285A
RDC:QuadTech 1880 Milliohmmer
-Q- HP4342A - SRF-HP4191A
- IDC Max:Determined when superimposed
DC current is decreased 10% against its initial value
- Operating temperature: -40°C to +85°C
- Storage Temperature: -40°C to +105°C
- Solder methods: Vapor Phase,Infrared Reflow
- Resistance to soldering heat:260°C for 10 seconds
- Solvent resistance: Conforms to MIL-STD-202E
- Marking: Inductance & Tolerance
- Ordering information:
- Type:Surface Mounting Type.
- Style:DR Core with RL core.
- Anductance:101 for 100uH.
- Anductance tolerance:M: ± 20%.

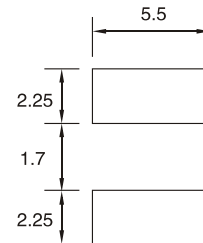
Note:1. K= ± 10%,M= ± 20%,N= ± 30%

PHYSICAL CHARACTERISTICS:

DIMENSIONS IN: mm



PAD LAYOUT



Notel:All specification subject to change without noticed.

HIGH CURRENT SURFACE-MOUNT POWER SHIELDED INDUCTORS SDRS0704 SERIES



FEATURES:

- Current up to 1.65A
- Very Small Foot Print
- Flat-top for Pick& Place
- Shielded structure

APPLICATION:

- Power supply for VTRs .
- OA equipment.
- LCD televisions.
- Notebook PCs.
- Portable communication equipment.
- DC/DC converters,etc.

STANDARD SPECIFICATION:

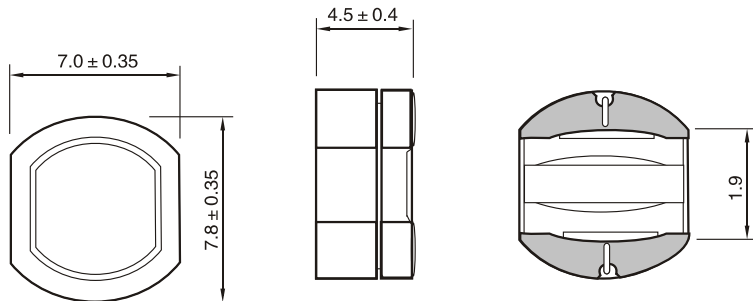
Part Number SDRS0704-	L (μ H)	DCR(Ω)Max.	IDC(A)
100M	10	0.07	1.65
120M	12	0.07	1.57
150M	15	0.08	1.39
180M	18	0.10	1.9
220M	22	0.13	1.12
270M	27	0.16	1.06
330M	33	0.18	0.97
390M	39	0.18	0.91
470M	47	0.27	0.80
560M	56	0.29	0.76
680M	68	0.33	0.68
820M	82	0.43	0.62
101M	100	0.49	0.55
121M	120	0.68	0.49
151M	150	0.94	0.44
181M	180	1.00	0.40
221M	220	1.18	0.36
271M	270	1.30	0.33
331M	330	1.30	0.33
391M	390	1.30	0.33
471M	470	1.30	0.33
561M	560	1.30	0.33
681M	680	1.30	0.33
821M	820	1.30	0.33

Note:1. K= ± 10%,M= ± 20%,N= ± 30%

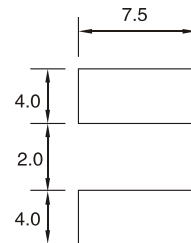
- Testing: (Equivalent acceptable)
Inductance:HP4285A
RDC:QuadTech 1880 Milliohmmer
-Q- HP4342A - SRF-HP4191A
- IDC Max:Determined when superimposed
DC current is decreased 10% against its initial value
- Operating temperature: -40°C to +85°C
- Storage Temperature: -40°C to +105°C
- Solder methods: Vapor Phase,Infrared Reflow
- Resistance to soldering heat:260°C for 10 seconds
- Solvent resistance: Conforms to MIL-STD-202E
- Marking: Inductance & Tolerance
- Ordering information:
- Type:Surface Mounting Type.
- Style:DR Core with RL core.
- Anductance:101 for 100uH.
- Anductance tolerance:M: ± 20%.

PHYSICAL CHARACTERISTICS:

DIMENSIONS IN: mm



PAD LAYOUT



Notel:All specification subject to change without noticed.

HIGH CURRENT SURFACE-MOUNT POWER SHIELDED INDUCTORS SDRS1005 SERIES



FEATURES:

- Current up to 2.06A
- Very Small Foot Print
- Flat-top for Pick& Place
- Shielded structure

APPLICATION:

- Power supply for VTRs .
- OA equipment.
- LCD televisions.
- Notebook PCs.
- Portable communication equipment.
- DC/DC converters,etc.

STANDARD SPECIFICATION:

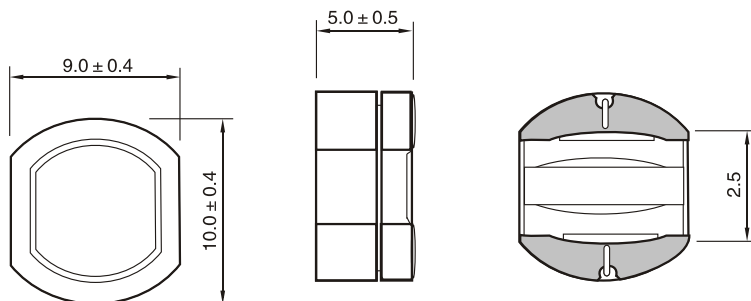
Part Number SDRS1005-	L (μ H)	DCR(Ω)Max.	IDC(A)
100M	10	0.06	2.06
120M	12	0.07	1.94
150M	15	0.07	1.72
180M	18	0.08	1.58
220M	22	0.08	1.42
270M	27	0.10	1.32
330M	33	0.11	1.16
390M	39	0.12	1.10
470M	47	0.14	1.00
560M	56	0.19	0.93
680M	68	0.21	0.85
820M	82	0.28	0.79
101M	100	0.34	0.72
121M	120	0.37	0.63
151M	150	0.51	0.55
181M	180	0.57	0.50
221M	220	0.78	0.47
271M	270	0.87	0.41
331M	330	1.20	0.37
391M	390	1.34	0.5
471M	470	1.50	0.33
561M	560	1.50	0.33
681M	680	1.50	0.33
821M	820	1.50	0.33

- Testing: (Equivalent acceptable)
Inductance:HP4285A
RDC:QuadTech 1880 Milliohmeter
-Q- HP4342A - SRF-HP4191A
- IDC Max:Determined when superimposed
DC current is decreased 10% against its initial value
- Operating temperature: -40°C to +85°C
- Storage Temperature: -40°C to +105°C
- Solder methods: Vapor Phase,Infrared Reflow
- Resistance to soldering heat:260°C for 10 seconds
- Solvent resistance: Conforms to MIL-STD-202E
- Marking: Inductance & Tolerance
- Ordering information:
- Type:Surface Mounting Type.
- Style:DR Core with RL core.
- Anductance:101 for 100uH.
- Anductance tolerance:M: \pm 20%.

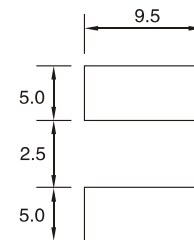
Note:1. K= \pm 10%,M= \pm 20%,N= \pm 30%

PHYSICAL CHARACTERISTICS:

DIMENSIONS IN: mm



PAD LAYOUT



Notel:All specification subject to change without noticed.

HIGH CURRENT SURFACE-MOUNT POWER SHIELDED INDUCTORS SDRS1205 SERIES



FEATURES:

- Current up to 2.65A
- Very Small Foot Print
- Flat-top for Pick& Place
- Shielded structure

APPLICATION:

- Power supply for VTRs .
- OA equipment.
- LCD televisions.
- Notebook PCs.
- Portable communication equipment.
- DC/DC converters,etc.

STANDARD SPECIFICATION:

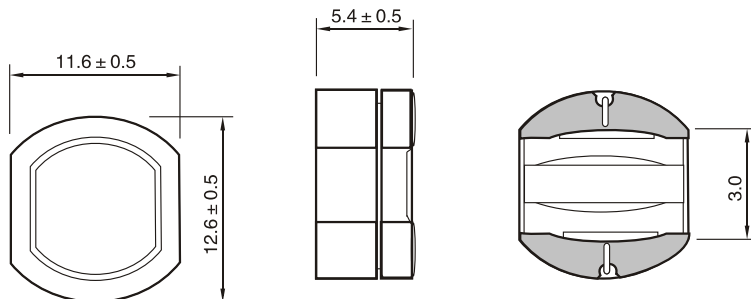
Part Number SDRS1205-	L (μ H)	DCR(Ω)Max.	IDC(A)
100M	10	0.05	2.65
120M	12	0.05	2.50
150M	15	0.06	2.45
180M	18	0.06	2.40
220M	22	0.07	2.20
270M	27	0.08	2.00
330M	33	0.10	1.80
390M	39	0.11	1.65
470M	47	0.12	1.50
560M	56	0.15	1.38
680M	68	0.17	1.26
820M	82	0.20	1.14
101M	100	0.25	1.05
121M	120	0.28	0.95
151M	150	0.40	0.85
181M	180	0.48	0.77
221M	220	0.52	0.70
271M	270	0.70	0.63
331M	330	0.80	0.57
391M	390	1.08	0.52
471M	470	1.20	0.48
561M	560	1.34	0.44
681M	680	1.78	0.40
821M	820	2.00	0.36

- Testing: (Equivalent acceptable)
Inductance:HP4285A
RDC:QuadTech 1880 Milliohmmer
-Q- HP4342A - SRF-HP4191A
- IDC Max:Determined when superimposed
DC current is decreased 10% against its initial value
- Operating temperature: -40°C to +85°C
- Storage Temperature: -40°C to +105°C
- Solder methods: Vapor Phase,Infrared Reflow
- Resistance to soldering heat:260°C for 10 seconds
- Solvent resistance: Conforms to MIL-STD-202E
- Marking: Inductance & Tolerance
- Ordering information:
- Type:Surface Mounting Type.
- Style:DR Core with RL core.
- Anductance:101 for 100uH.
- Anductance tolerance:M: ± 20%.

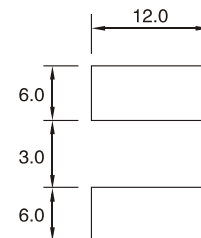
Note:1. K= ± 10%,M= ± 20%,N= ± 30%

PHYSICAL CHARACTERISTICS:

DIMENSIONS IN: mm



PAD LAYOUT



Notel:All specification subject to change without noticed.