



SHAANXI SHINHOM ENTERPRISE CO.,LTD

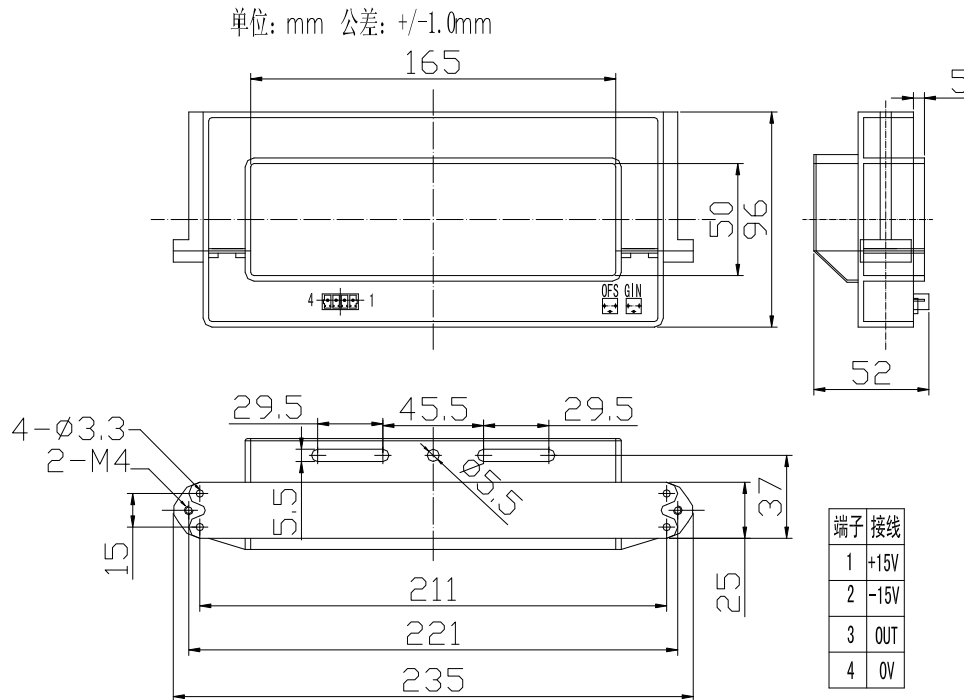
HKC-HOP Series removable Hall Effect Current Sensor

HKC-HOP Series current sensor with a galvanic isolation between primary and secondary circuit. It provides accurate electronic measurement of DC, AC or pulsed currents.

ELECTRICAL DATA

	HKC800HOP	HKC1000HOP	HKC1200HOP	HKC1500HOP	HKC2000HOP	
Rated input current	800	1000	1200	1000	2000	A
Test current range	±1600	±2000	±2400	±3000	±3000	A
Rated output voltage	±4±1%					V
Supply voltage	±15 ±5%					V
Offset voltage	≤±30		≤±20			mV
Magnetic offset voltage	≤±40		≤±30			mV
Offset voltage Drift	≤±1.5		≤±1.0			mV/°C
Linearity	≤±1					%FS
Response time	≤10					μS
Insulation voltage	(50HZ,1min),6					KV
Operating Temperature	-20~+70					°C
Storage Temperature	-25~+85					°C

MUTING DIMENSIONS(FOR REFERENCE ONLY)



INSTRUCTIONS FOR USE

1. When the current will be measured goes through a sensor, the voltage will be measured at the output end. (Note: The false wiring may result in the damage of the sensor).
2. The output amplitude of the sensor can be adjusted according to users requirements.
3. Custom design in the nominal input current and the output voltage available