



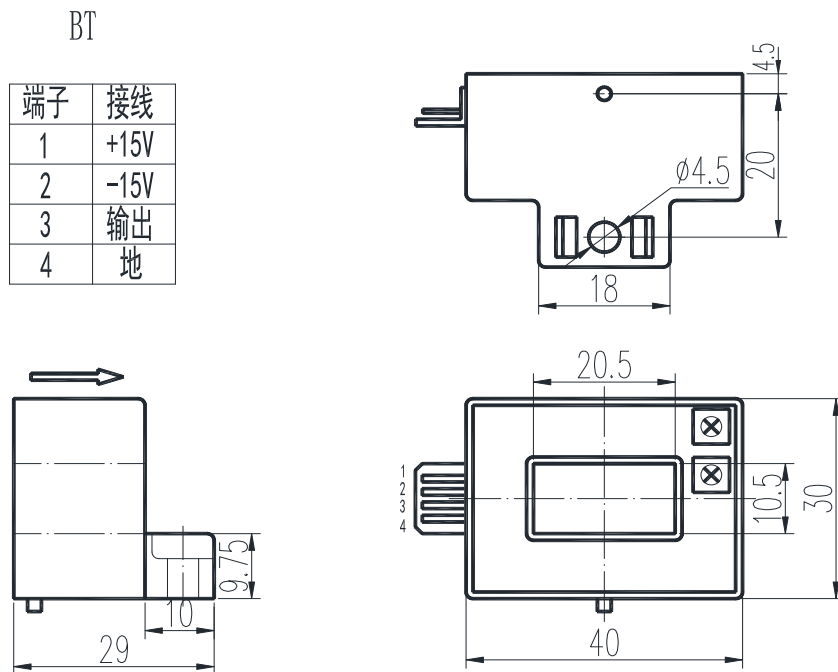
HKC-BT Series Hall Effect Current Sensor

HKC-BT Series current sensor with a galvanic isolation between primary and secondary circuit. It provides accurate electronic measurement of DC, AC or pulsed currents.

ELECTRICAL DATA

	HKC50 BT	HKC75 BT	HKC100 BT	HKC200 BT	HKC300 BT	HKC400 BT	HKC500 BT	HKC600 BT		
Rated input current	50	75	100	200	300	400	500	600	A	
Test current range	150	225	300	600	900	900	900	900	A	
Rated output voltage	4±1%								V	
Supply voltage	±15 ±5%								V	
Offset voltage	25								mV	
Magnetic offset voltage	±30		±25							mV
Offset voltage Drift	≤±1.0		≤±0.5							mV/°C
Linearity	≤1								%FS	
Response time	≤3								μS	
Insulation voltage	50HZ,1min		2.5							KV
Operating Temperature	-40~+85								°C	
Storage Temperature	-55~+125								°C	

MUTING DIMENSIONS(FOR REFERENCE ONLY)



INSTRUCTIONS FOR USE

1. When the current will be measured goes through a sensor, the voltage will be measured at the output end. (Note: The false wiring may result in the damage of the sensor).
2. The output amplitude of the sensor can be adjusted according to users requirements.
3. Custom design in the nominal input current and the output voltage available