



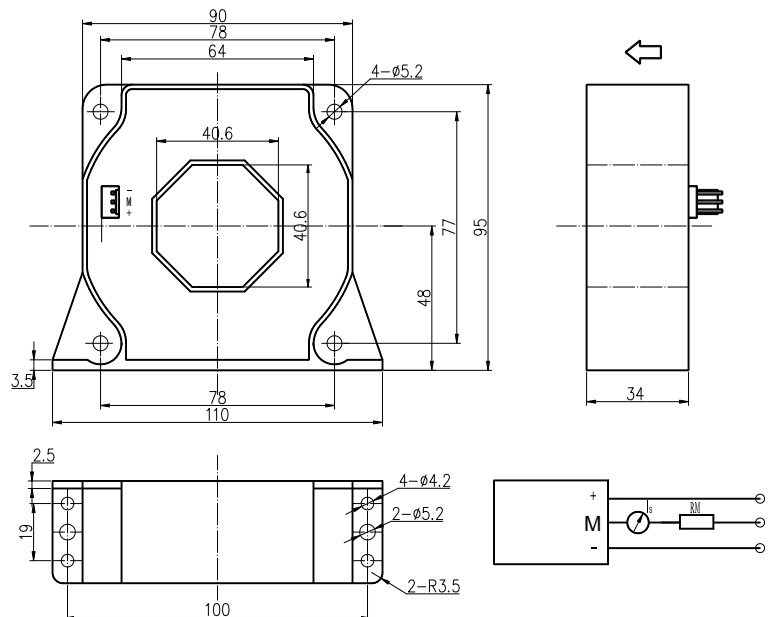
HBC-LF Series Hall Effect Current Sensor

HBC-LF Series current sensor with a galvanic isolation between primary and secondary circuit. It provides accurate electronic measurement of DC, AC or pulsed currents.

ELECTRICAL DATA

	HBC500LF	HBC600LF	HBC800LF	HBC1000LF	
Rated input current	500	600	800	1000	A
Test current range	1000	1000	2000	2000	A
Rated output current	100	120	160	200	mA
Supply voltage	±15~±24				V
Zero offset current	≤±0.5		≤±1.0		mA
Turns ratio	1:5000				
Response time	<1				μs
Linearity	≤±0.2				%FS
Insulation voltage	50HZ,1min,3				KV
di/dt	>100				A/μs
Bandwidth(-1dB)	DC...150				KHz
Sec winding resistance	44				Ω
Test resistance	(±15V , 1000A),0~22.5				Ω
	(±24V , 1000A),0~65				
Operating Temperature	-40~+85				°C
Storage Temperature	-40~+105				°C

MUTING DIMENSIONS(FOR REFERENCE ONLY)



INSTRUCTIONS FOR USE

1. When the current will be measured goes through a sensor, the voltage will be measured at the output end. (Note: The false wiring may result in the damage of the sensor).
2. The output amplitude of the sensor can be adjusted according to users requirements.
3. Custom design in the nominal input current and the output voltage available