

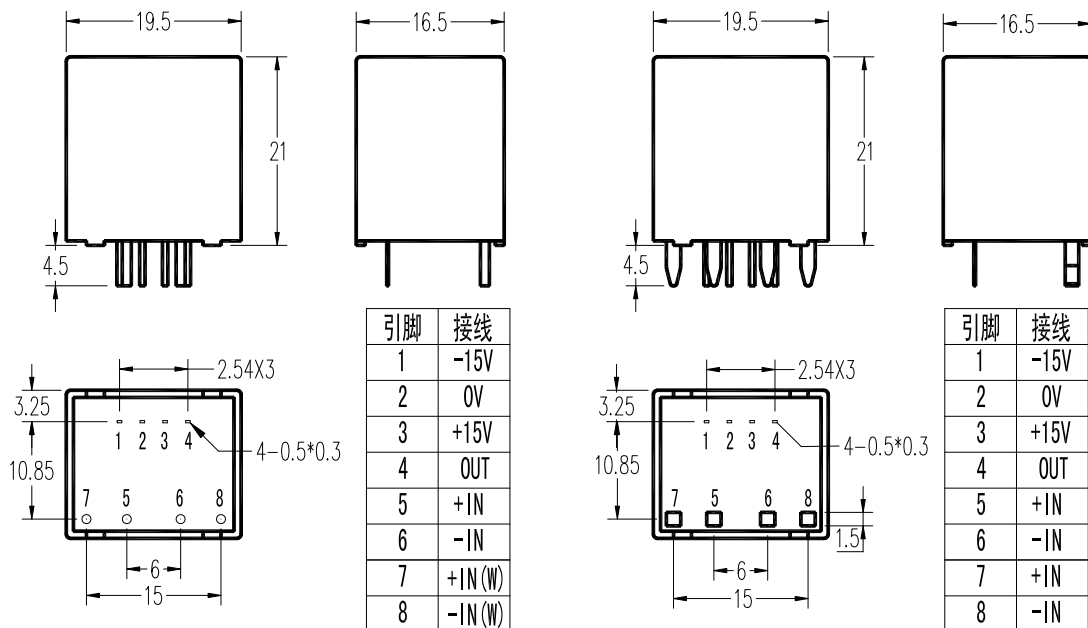
HBC-SY/SYW Series Hall Effect Current Sensor

HBCSY/SYW Series current sensor with a galvanic isolation between primary and secondary circuit. It provides accurate electronic measurement of DC, AC or pulsed currents.

ELECTRICAL DATA

	HBC05SY/SYW		HBC10SY/SYW		HBC12.5SY/SYW		HBC15SY/SYW		
	HBC20SY/SYW		HBC25SY/SYW		HBC30SY/SYW		HBC50SY		
Rated input current	5	10	12.5	15	20	25	30	50	A
Test current range	10	20	25	30	40	50	60	100	A
Input pins	∅ 0.6	∅ 0.8	∅ 1.0	∅ 1.0	∅ 1.2	∅ 1.6	∅ 1.6	2×∅1.6×1.5	mm
Turns ratio	8: 1000	4: 1000	3: 1000	3: 1125	2: 1000	2: 1250	1: 1000	1: 1250	
Rated output voltage	±4±0.5%								V
Supply voltage	±15±5%								V
consumption current	≤±15								mA
Zero offset current	≤±20								mV
Offset voltage Drift	≤±0.5								mV/°C
Linearity	≤±0.2								%FS
Response time	<1								μS
Insulation voltage	50HZ,1min,2.5								KV
Operating Temperature	-40~+85								°C
Storage Temperature	-40~+105								°C

MUTING DIMENSIONS(FOR REFERENCE ONLY)



INSTRUCTIONS FOR USE

1. When the current will be measured goes through a sensor, the voltage will be measured at the output end. (Note: The false wiring may result in the damage of the sensor).
2. The output amplitude of the sensor can be adjusted according to users requirements.
3. Custom design in the nominal input current and the output voltage available