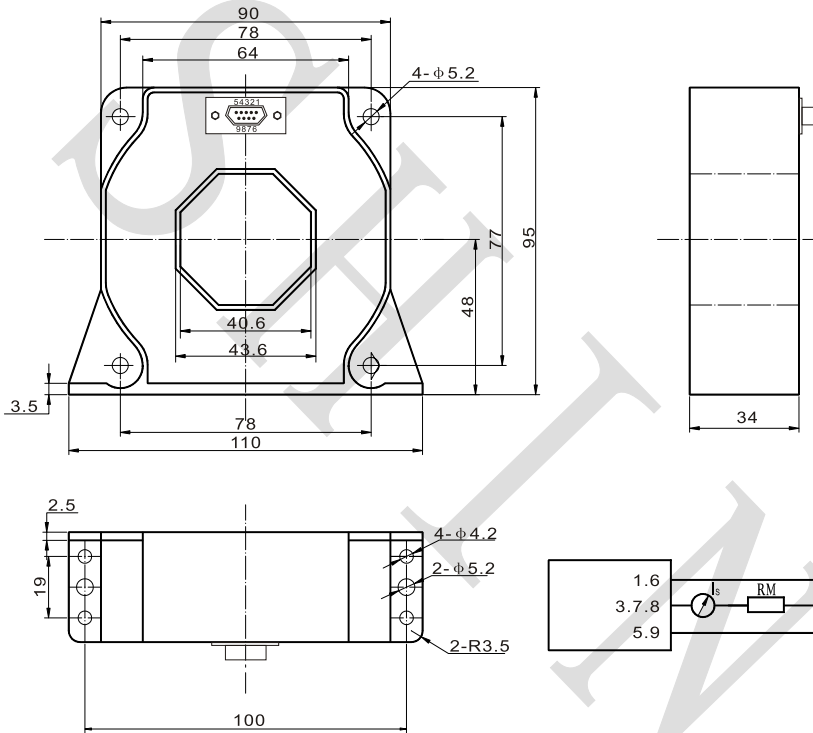


CUSTOMER		PART NO:	HBC500LF
CUSTOMER P/N		NAME	Current Sensor
DATE	2011-01-07	HUMIDITY	48% (25 °C)

MUTING DIMENSIONS



- Terminal 1: supply voltage +12~18V
- Terminal 2: NC
- Terminal 3: measure
- Terminal 4: NC
- Terminal 5: supply voltage -12~18V
- Terminal 6: supply voltage +12~18V
- Terminal 7: measure
- Terminal 8: measure
- Terminal 9: supply voltage -12~18V

Closed loop (Compensated) current transducer using hall effect,
 Insulated plastic case recognized according to UL94-V0

ELECTRICAL DATA

Nominal Current	500	A
Measuring range	0...±800	A
Turns ratio	1:5000	
Measuring resistance (Ta=70deg)	with ±12V@±500A max-50(max)	Ω
	@±800A max-10(max)	Ω
	with ±18V@±500A max-100(max)	Ω
	@±800A max-45(max)	Ω
Supply voltage	±12...18	V
Nominal analogue output -secondary current	100	mA
Accuracy at +25 °C	±0.65	%
Current consumption	14(@±15V)+output current	mA
RMS Voltage for AC isolation 50Hz 1 min	6	KV
PRPARED BY		APPROVED BY



SPECIFICATION FOR APPROVAL



CUSTOMER		PART NO:	HBC500LF
CUSTOMER P/N		NAME	Current Sensor
DATE	2011-01-07	HUMIDITY	48% (25 °C)

Accuracy Dynamic Performance

Zero offset current Ta= 25 °C	$\pm 0.4\text{max}$	mA
Thermal drift of offset current	-10°C~+70°C, $\pm 0.4\text{max}$	mA
Response time	<1	us
Linearity	≤ 0.1	%FS
Bandwidth(-3dB)	DC...150	KHz
di/dt	>100	A/us

General Data

Secondary internal coil resistance	Ta=70°C 55 Ω	Ω
Operating temperature	-10~+70	°C
Storage temperature	-25~+85	°C
mass	500	g

PRPARED BY		APPROVED BY	
------------	--	-------------	--

www.shinhom.com

NO.8,YanTa Northern road,xi'anCity Shaanxi pro.china TEL: +86-29-87851916 FAX: +86-29-87851840 E-mail: Shinhom@globalsources.com