



SHAANXI SHINHOM ENTERPRISE CO.,LTD

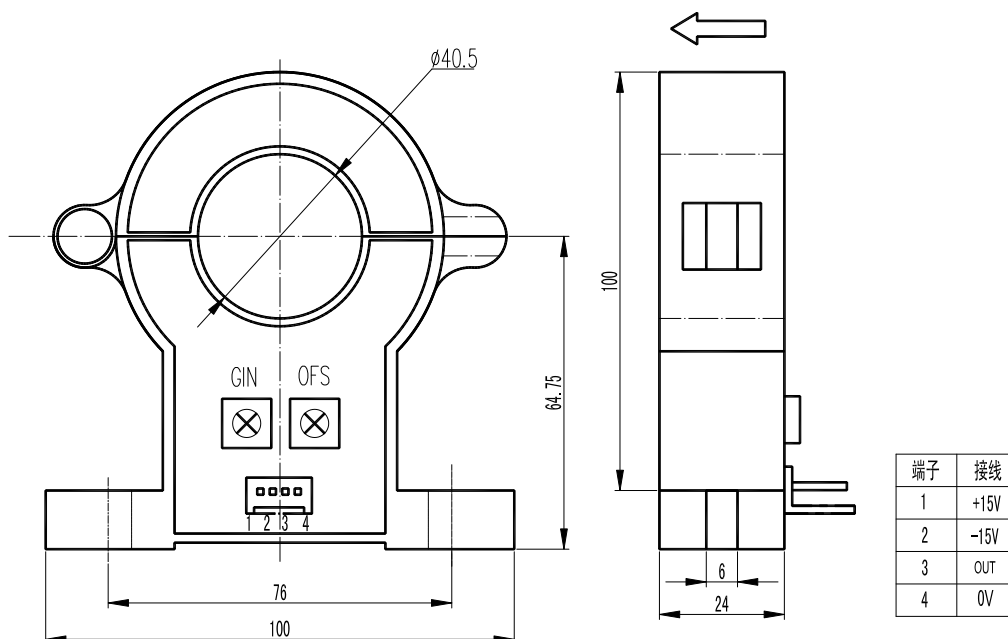
HKC-EKB Series removable Hall Effect Current Sensor

HKC-EKB Series current sensor with a galvanic isolation between primary and secondary circuit. It provides accurate electronic measurement of DC, AC or pulsed currents.

ELECTRICAL DATA

	HKC200EK B	HKC400EK B	HKC600EK B	HKC800EK B	HKC1000EK B	HKC2000EK B	
Rated input current	200	400	600	800	1000	2000	A
Test current range	400	800	1200	1600	2000	4000	A
Rated output voltage	4±1%						V
Supply voltage	±15±5%						V
Offset voltage	≤±20						mV
Magnetic offset voltage	≤±40			≤±30			mV
Offset voltage Drift	≤±1.5			≤±1			mV/°C
Linearity				≤±1			%FS
Response time	≤5						μS
Insulation voltage	(50HZ,1min),2.5						KV
Operating	-40~+85						°C
Storage Temperature	-40~+105						°C

MUTING DIMENSIONS(FOR REFERENCE ONLY)



INSTRUCTIONS FOR USE

1. When the current will be measured goes through a sensor, the voltage will be measured at the output end. (Note: The false wiring may result in the damage of the sensor).
2. The output amplitude of the sensor can be adjusted according to users requirements.
3. Custom design in the nominal input current and the output voltage available