



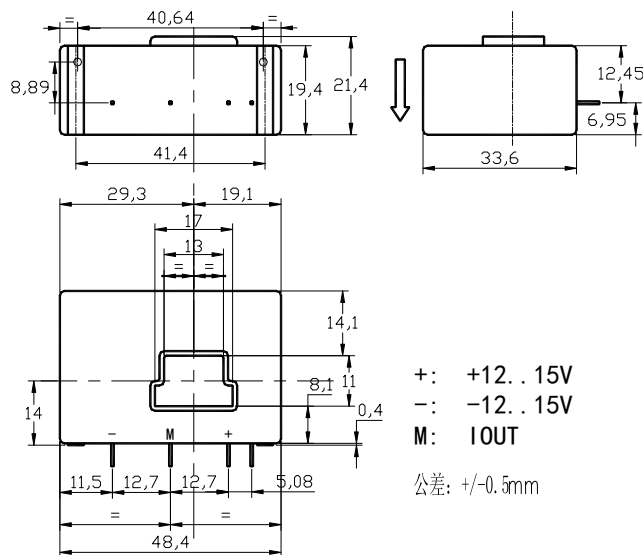
**HBC200LAP-100mA Hall Effect Current Sensor**

HBC200LAP-100mA current sensor with a galvanic isolation between primary and secondary circuit. It provides accurate electronic measurement of DC, AC or pulsed currents.

**ELECTRICAL DATA**

	HBC200LAP-100m A	
Rated input current(DC)	200	A
Test current range(DC)	±300	A
Rated output current	100±0.5%	mA
Supply voltage	±15±5%	V
Consumption current	≤±25+100(200A)	mA
Offset current	±0.3	mA
Offset current Drift	≤±0.03	mA/°C
Linearity	≤±0.25	%FS
Magnetic Offset current(200A-0A)	≤±0.5	mA
Response time	<1	μS
Sec resistance	76	Ω
Insulation voltage(50HZ,AC,1min)	2.5	KV
Operating Temperature(TA)	-20~+85	°C
Storage Temperature(TS)	-40~+105	°C

**MUTING DIMENSIONS(FOR REFERENCE ONLY)**



**INSTRUCTIONS FOR USE**

1. When the current will be measured goes through a sensor, the voltage will be measured at the output end. (Note: The false wiring may result in the damage of the sensor).
2. The output amplitude of the sensor can be adjusted according to users requirements.
3. Custom design in the nominal input current and the output voltage available